



eMotimo Integration Kit for Dana Dolly

Instruction Manual

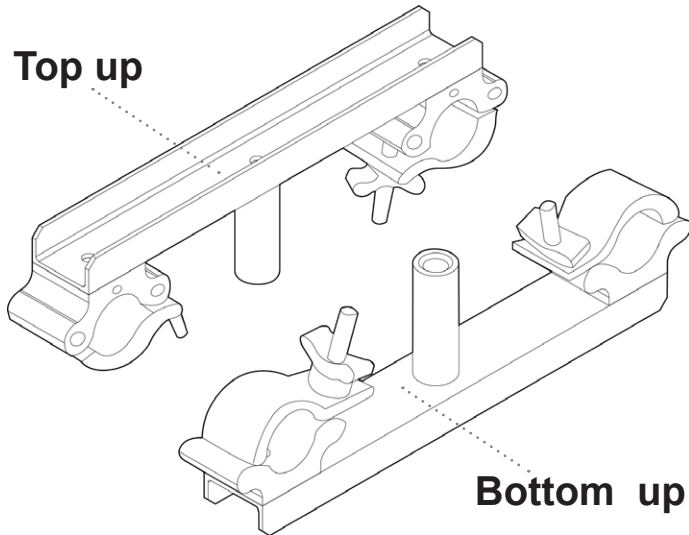
V 1.1

Contents:

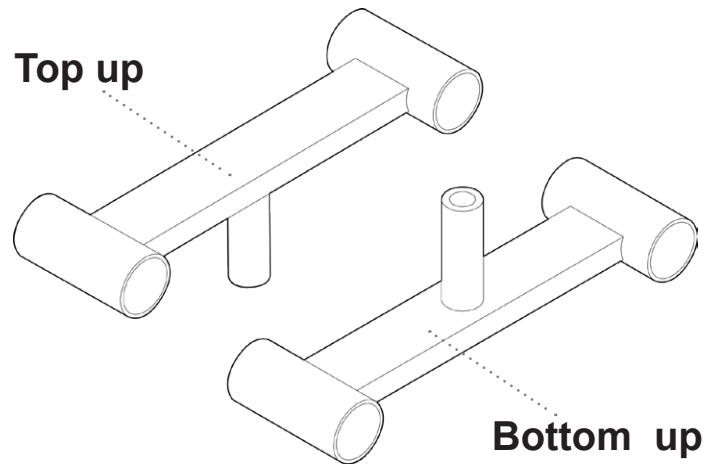
Your Dana Dolly kit & identifying orientation	03
What's included	04
General principles / mounting	05 - 07
#1 Mounting for original track ends, round track, bottom up	08
#2 Mounting for original track ends, round track, top up	09
#3 Mounting for original track ends, triangle track, bottom up	10
#4 Mounting for original track ends, triangle track, top up	11
#5 Mounting for universal track ends, round track, top up	12
#6 Mounting for universal track ends, round track, bottom up	13
#7 Mounting for universal track ends, triangle track, top up	14
#8 Mounting for universal track ends, triangle track, bottom up	15

What Dana Dolly kit do you have?

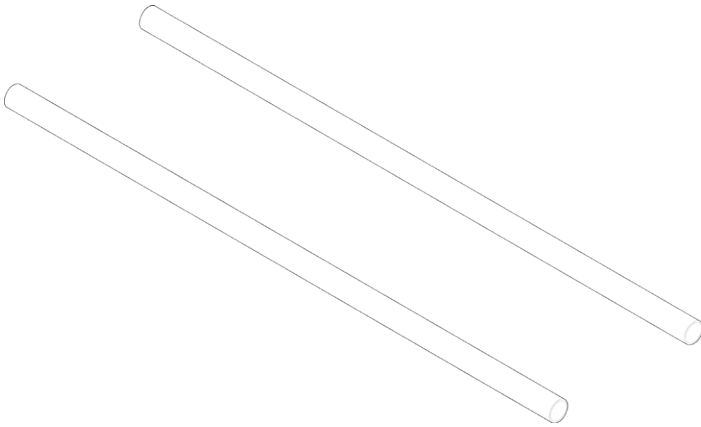
Universal track ends



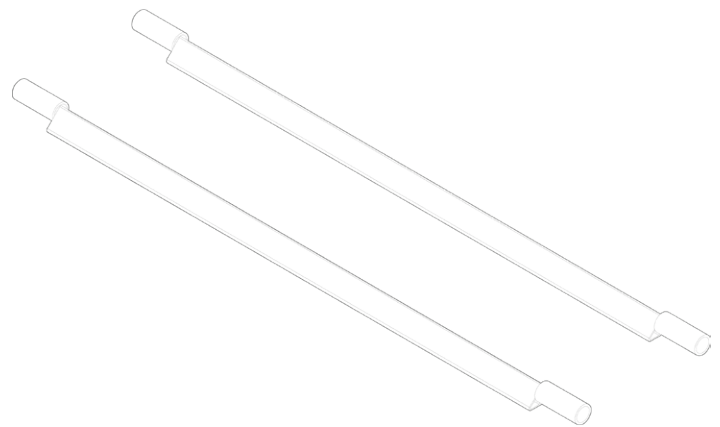
Original track ends:



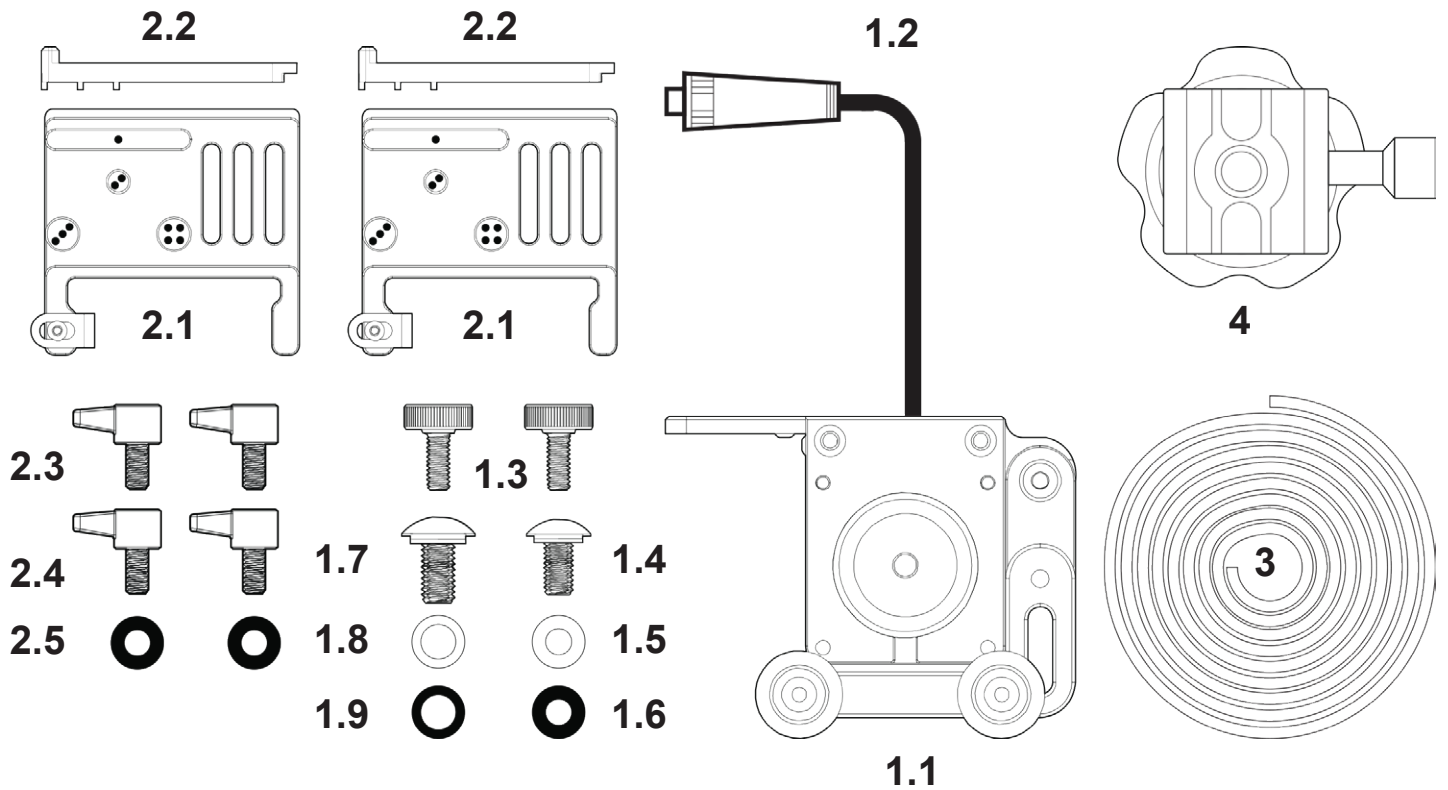
Round track:



Triangle track:



What Is Included in the eMotimo Integration Kit:



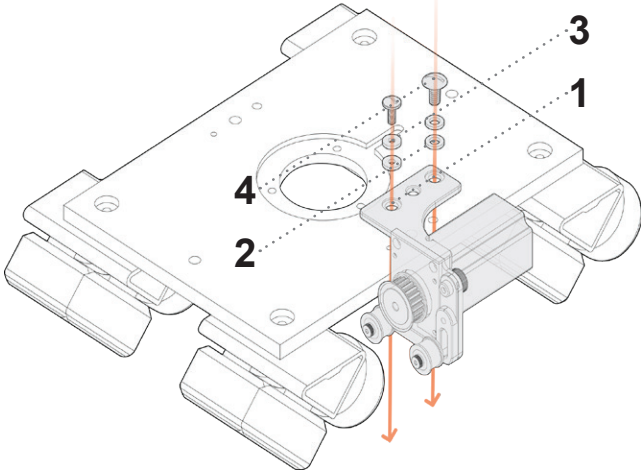
Part Names

- | | |
|----------------------------------------------------------------------------------------------------------------------------------------------------------------------------------------------------------------------------------------------------------------------------------------------------------------------------------------------------------------------------------------------------------------------------|-----------------------------------------------------------------------------------------------------------------------------------------------------------------------------------------------------------------------------------------------------------------------------------------------------------------------|
| <ul style="list-style-type: none"> 1. Motor Mount 1.1 - Carriage Mount & Motor 1.2 - Motor cable / plug 1.3 - Idler/belt adjustment thumbscrew 1.4 - 1/4-20" flathead screw 1.5 - 1/4-20" metal washer 1.6 - 1/4-20" rubber washer 1.7 - 3/8-16" flathead screw 1.8 - 3/8-16" metal washer 1.9 - 3/8-16" rubber washer | <ul style="list-style-type: none"> 2. Belt Clamp (two included) 2.1 - Belt clamp base 2.2 - Belt clamp tensioner 2.3 - Clamp base thumbscrew 2.4 - Belt tensioner thumbscrew 2.5 - Belt tensioner washer 3. Belt 4. eMotimo Clamp Riser |
|----------------------------------------------------------------------------------------------------------------------------------------------------------------------------------------------------------------------------------------------------------------------------------------------------------------------------------------------------------------------------------------------------------------------------|-----------------------------------------------------------------------------------------------------------------------------------------------------------------------------------------------------------------------------------------------------------------------------------------------------------------------|

General Principles:

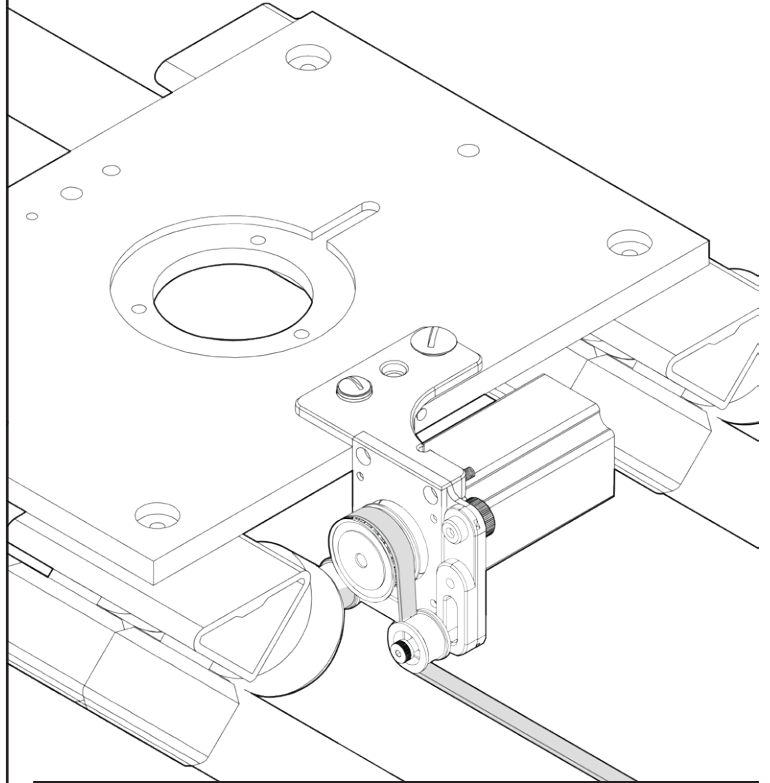
Carriage mounting:

1. Align Motor Mount over 1/4" and 3/8" through holes on the Dana Dolly.
2. Mount Motor Mount to Dana Dolly using the 1/4-20" and 3/8-16" hardware in the following order (starting with Dana Dolly):
 - 1) Carriage Mount & Motor
 - 2) 1/4-20" and 3/8-16" rubber washers
 - 3) 1/4-20" and 3/8-16" metal washers
 - 4) 1/4-20" and 3/8-16" flathead screws



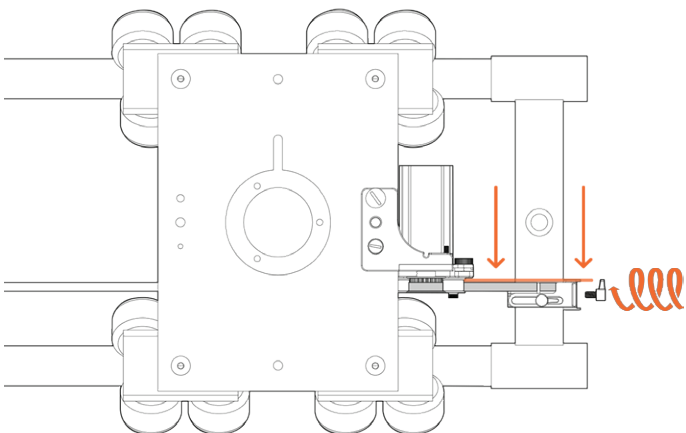
Belt routing:

Always route belt over pulley with teeth down. Wrap under both idlers.



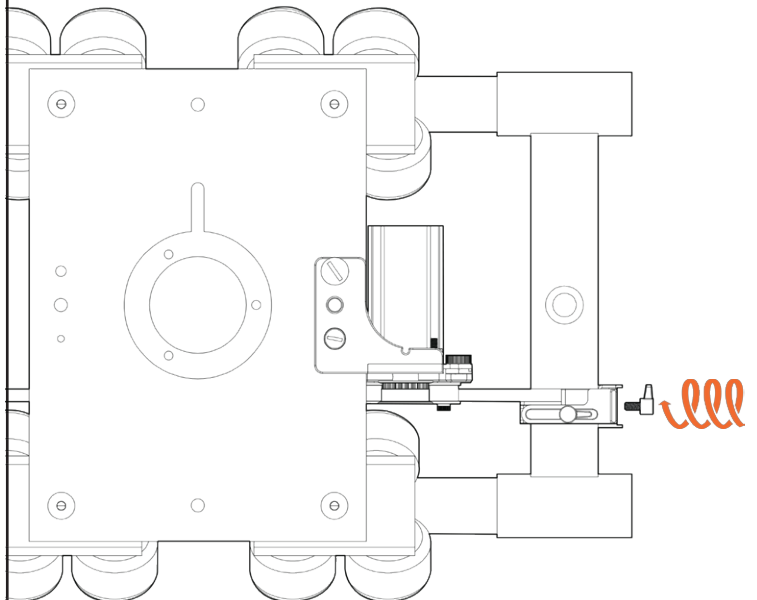
Belt alignment:

Manually slide the dolly towards the belt clamp to check alignment. Align clamp with the edge of the belt by sliding it left or right on the end bracket. Tighten down at the bottom of the clamp the with 1/4-20 clamp thumbscrew to lock the clamp in place.



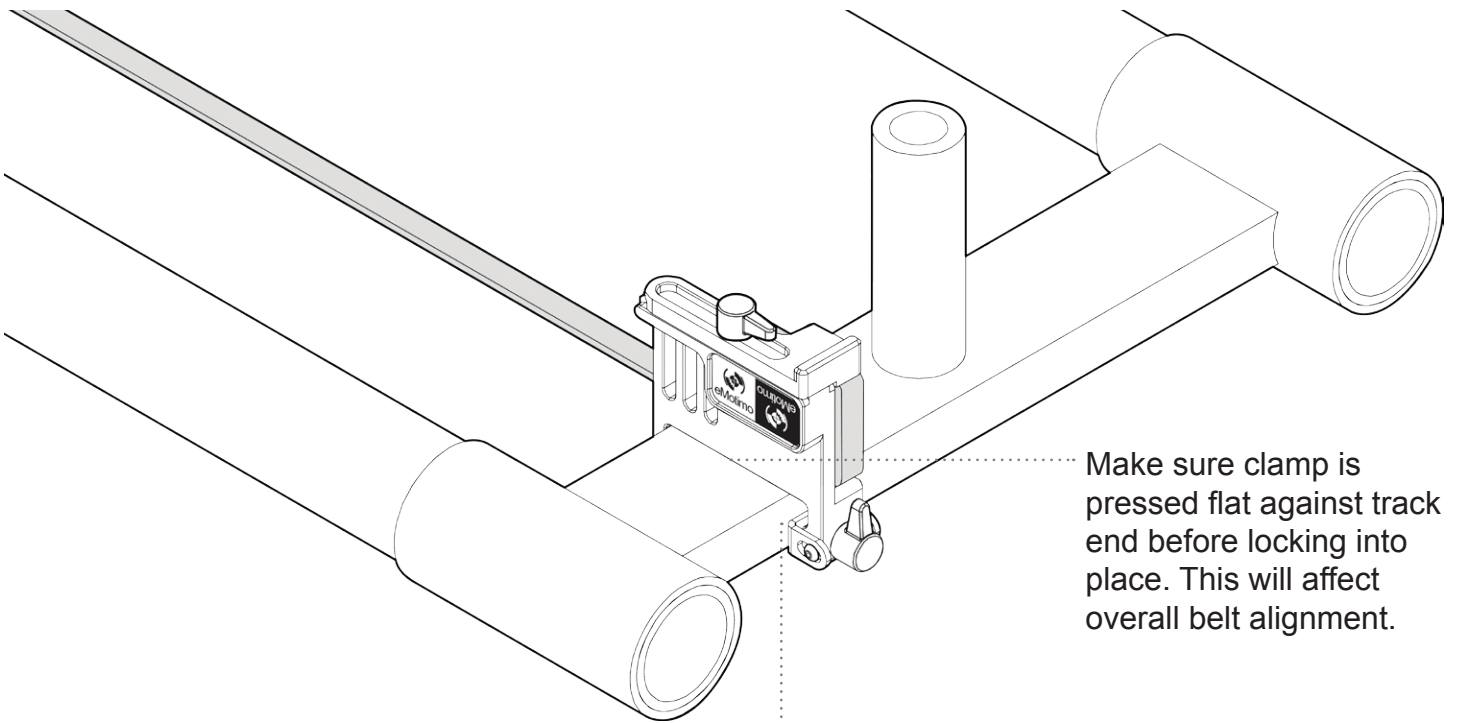
Belt clamp orientation

Always mount clamps with thumbscrews facing outwards.



General Principles

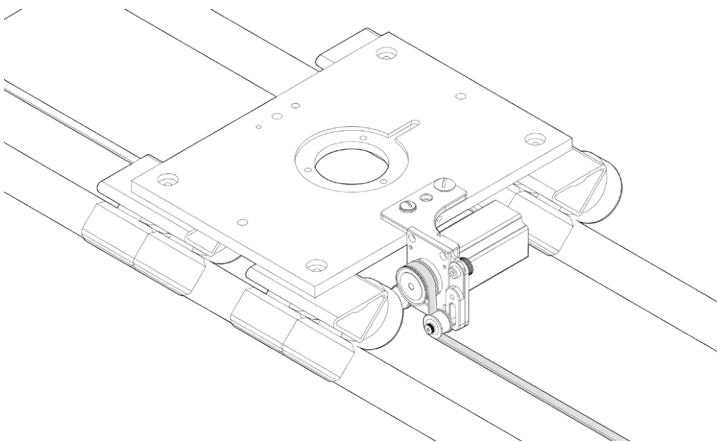
Clamp mounting



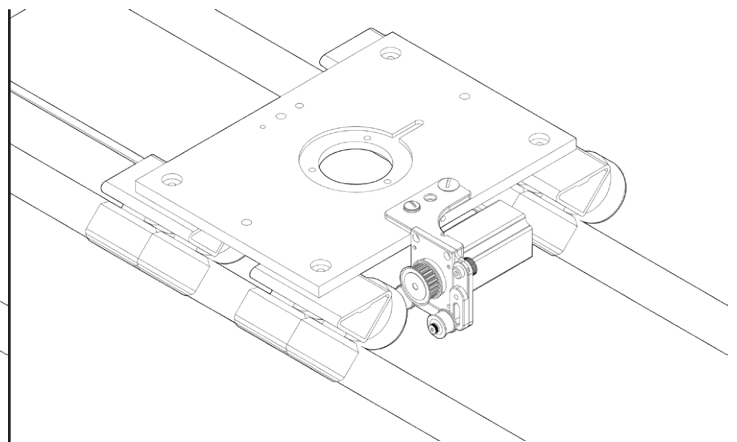
Make sure clamp foot is between screw and track end. The foot allows for greater clamping contact and reduces mounting marks on track ends.

Pro tip:

Leave this motor attached. If you don't route the belt, manual slides are still possible.



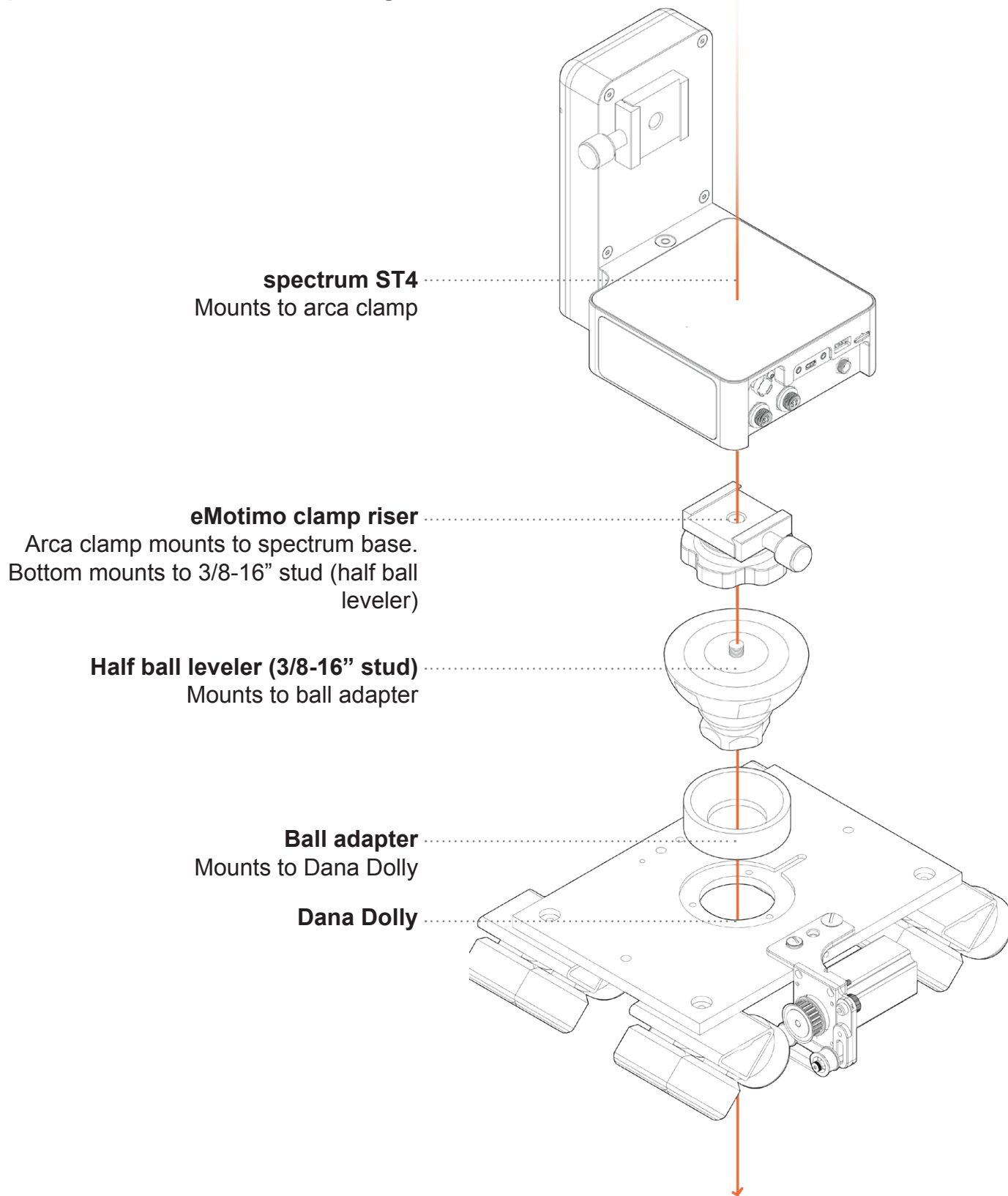
Motor engaged with belt.



Motor disengaged. Belt removed. Motor still mounted.

General Principles

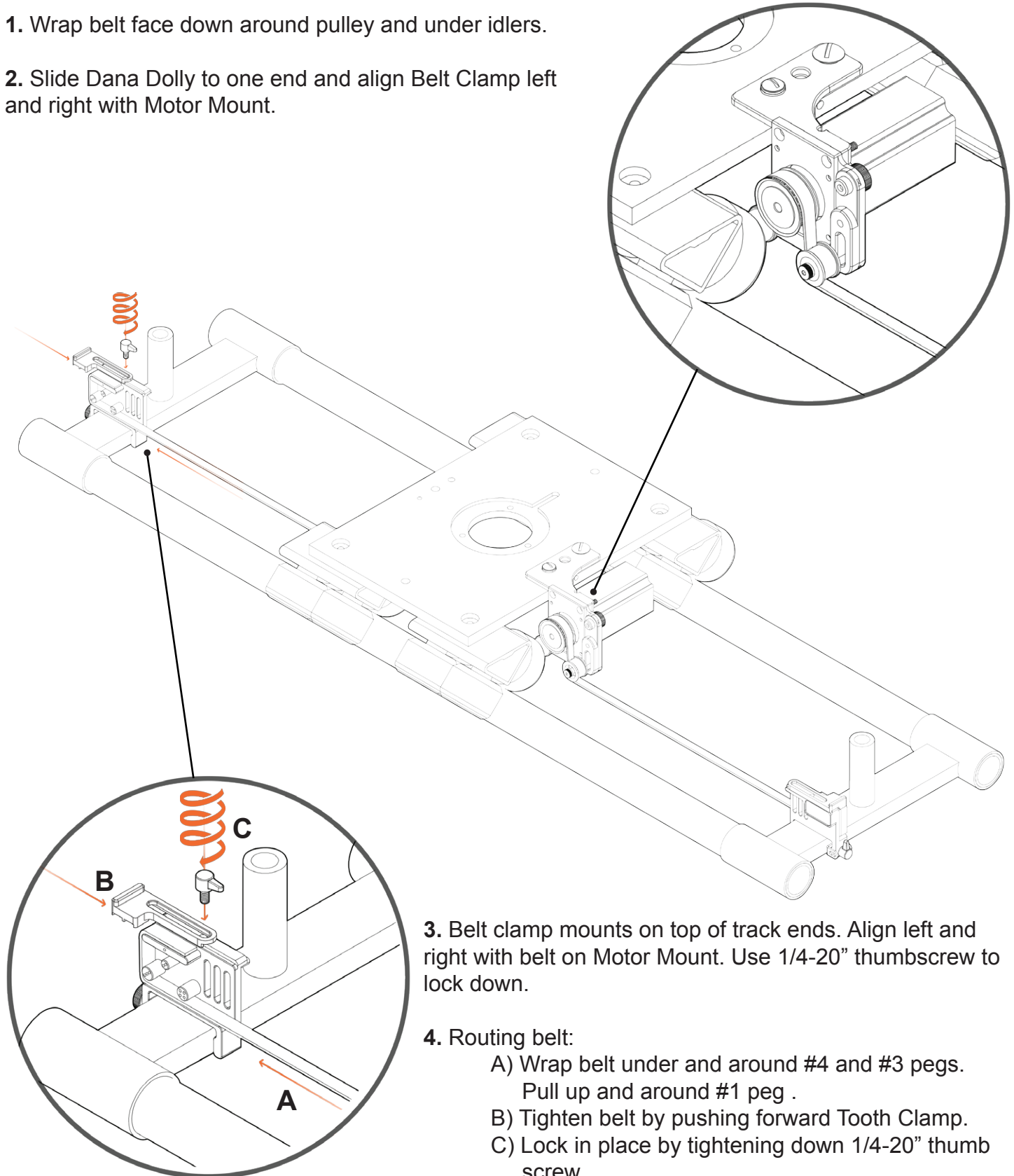
spectrum ST4 mounting



Orientation #1

Mounting for original track ends, round track, bottom up

1. Wrap belt face down around pulley and under idlers.
2. Slide Dana Dolly to one end and align Belt Clamp left and right with Motor Mount.



3. Belt clamp mounts on top of track ends. Align left and right with belt on Motor Mount. Use 1/4-20" thumbscrew to lock down.

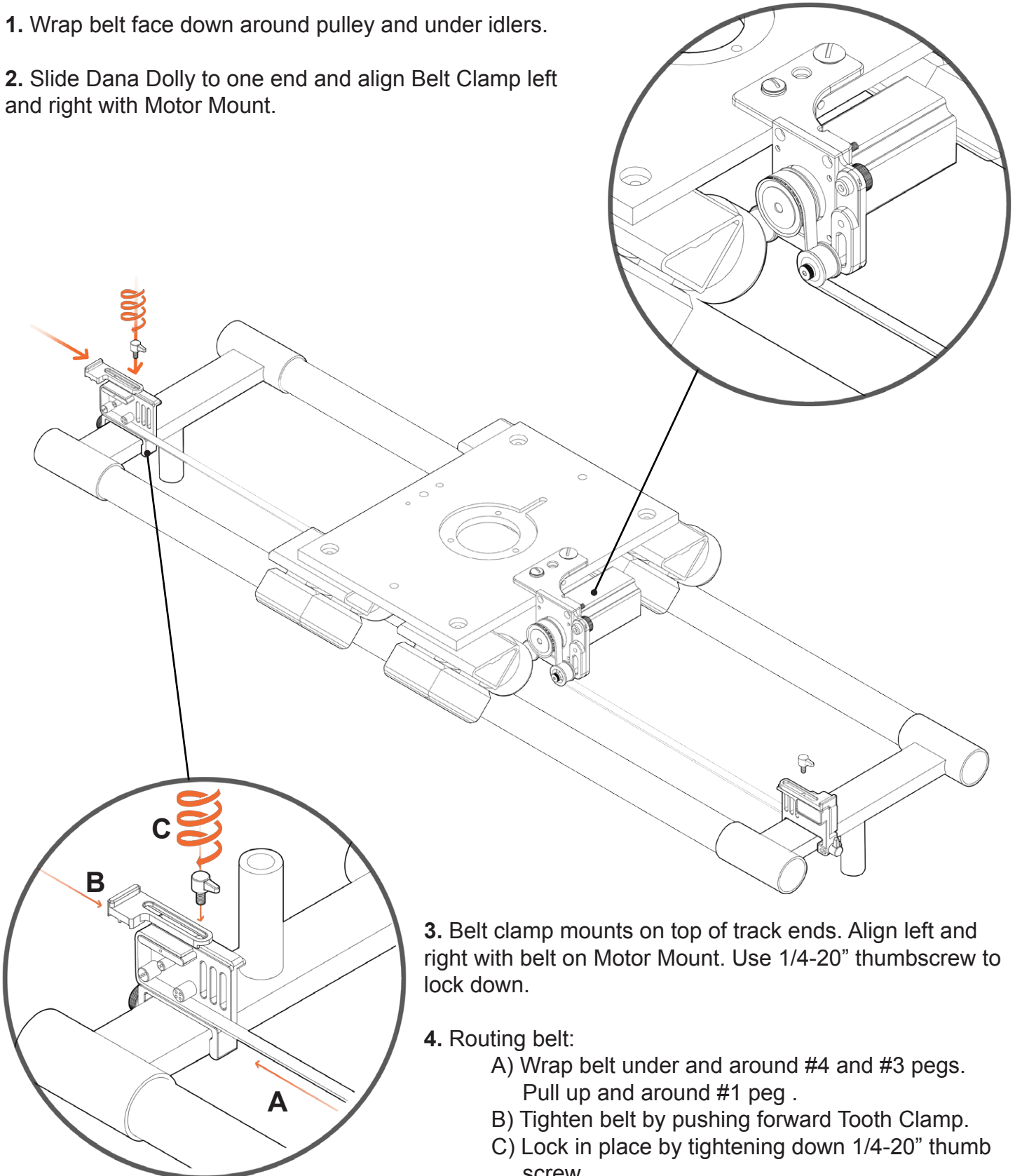
4. Routing belt:

- A) Wrap belt under and around #4 and #3 pegs. Pull up and around #1 peg.
- B) Tighten belt by pushing forward Tooth Clamp.
- C) Lock in place by tightening down 1/4-20" thumb screw.

Orientation #2

Mounting for original track ends, round track, top up

1. Wrap belt face down around pulley and under idlers.
2. Slide Dana Dolly to one end and align Belt Clamp left and right with Motor Mount.



3. Belt clamp mounts on top of track ends. Align left and right with belt on Motor Mount. Use 1/4-20" thumbscrew to lock down.

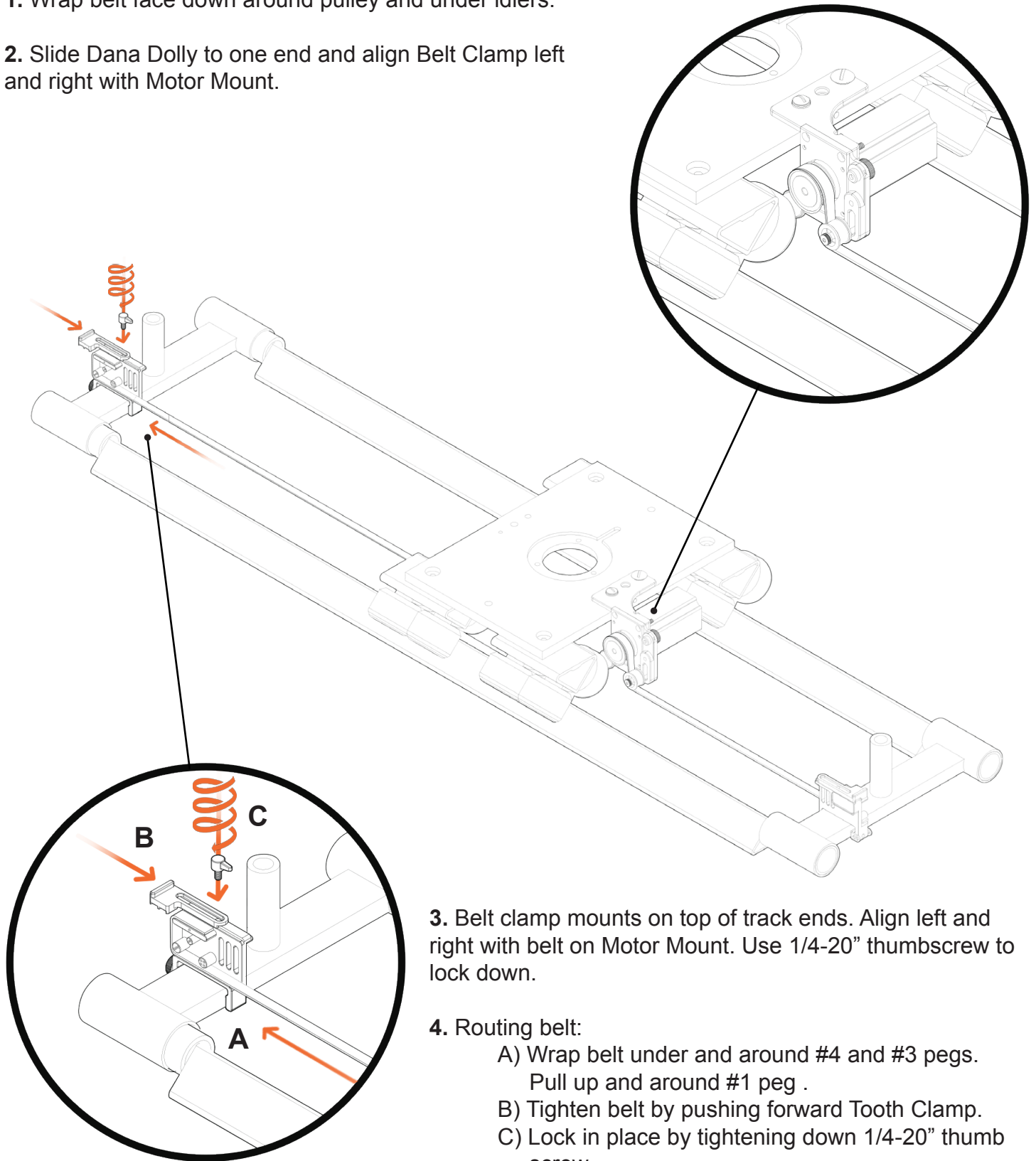
4. Routing belt:

- A) Wrap belt under and around #4 and #3 pegs. Pull up and around #1 peg.
- B) Tighten belt by pushing forward Tooth Clamp.
- C) Lock in place by tightening down 1/4-20" thumb screw.

Orientation #3

Mounting for original track ends, triangle track, bottom up

1. Wrap belt face down around pulley and under idlers.
2. Slide Dana Dolly to one end and align Belt Clamp left and right with Motor Mount.



3. Belt clamp mounts on top of track ends. Align left and right with belt on Motor Mount. Use 1/4-20" thumbscrew to lock down.

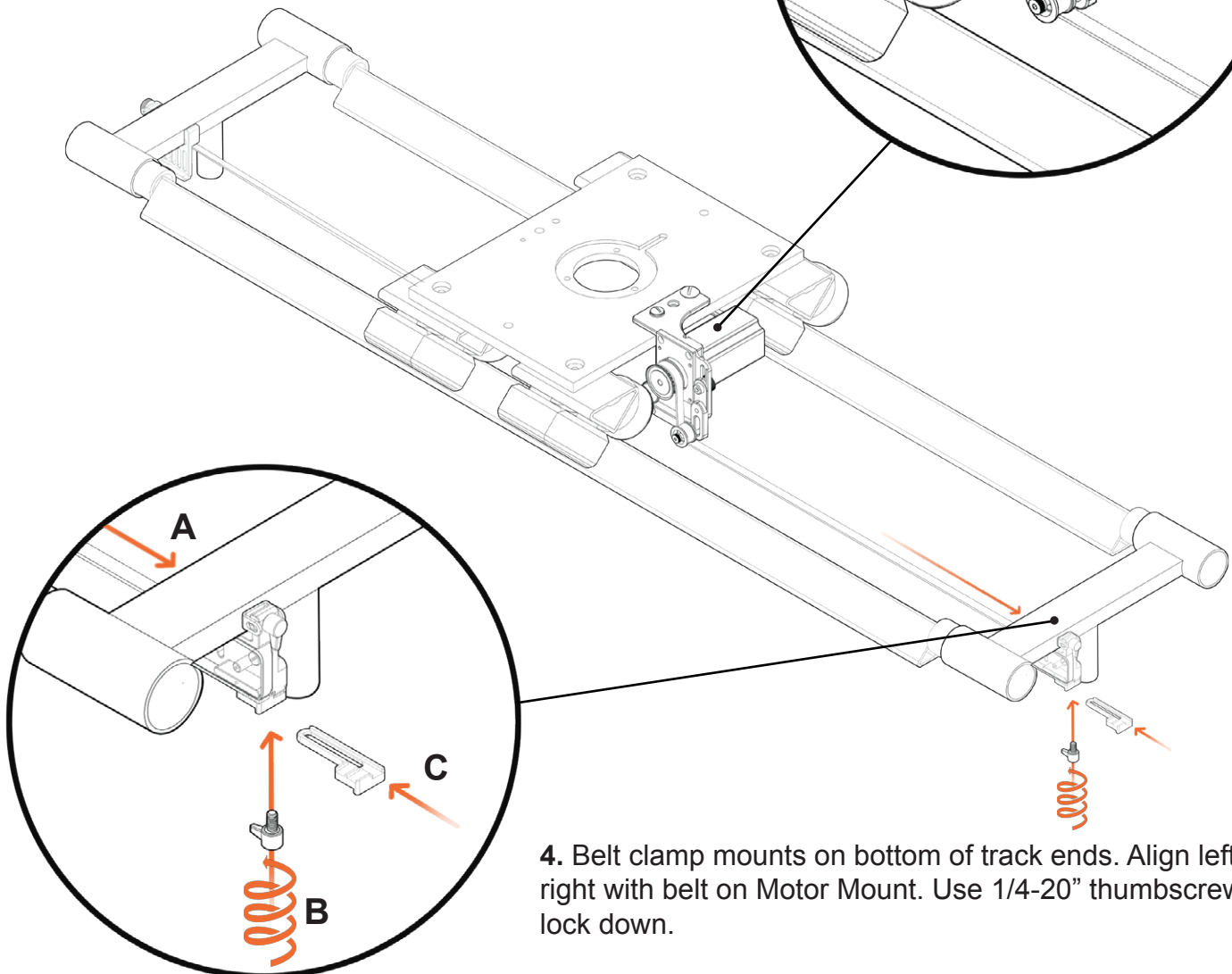
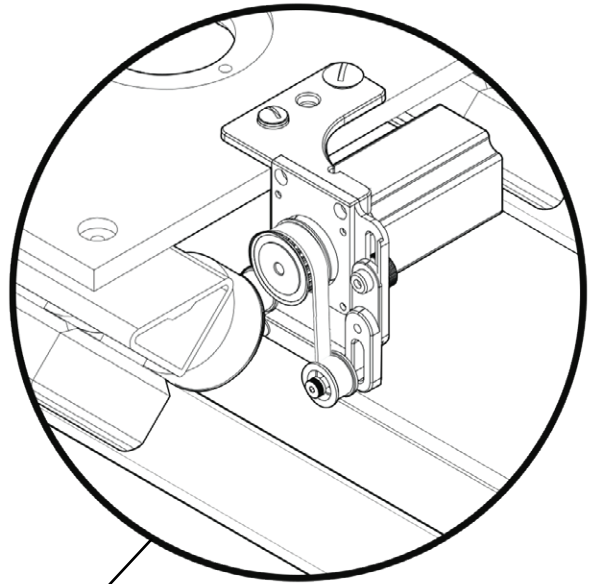
4. Routing belt:

- A) Wrap belt under and around #4 and #3 pegs. Pull up and around #1 peg.
- B) Tighten belt by pushing forward Tooth Clamp.
- C) Lock in place by tightening down 1/4-20" thumb screw.

Orientation #4

Mounting for original track ends, triangle track, top up

1. Wrap belt face down around pulley and under idlers.
2. Slide Dana Dolly to one end and align Belt Clamp left and right to align belt with Motor Mount.
3. Lower belt slightly by adjusting thumbscrews on Motor Mount. Adjust belt up and down to align with the top of the #4 and #3 pegs. Lock down screws using tool.



4. Belt clamp mounts on bottom of track ends. Align left and right with belt on Motor Mount. Use 1/4-20" thumbscrew to lock down.

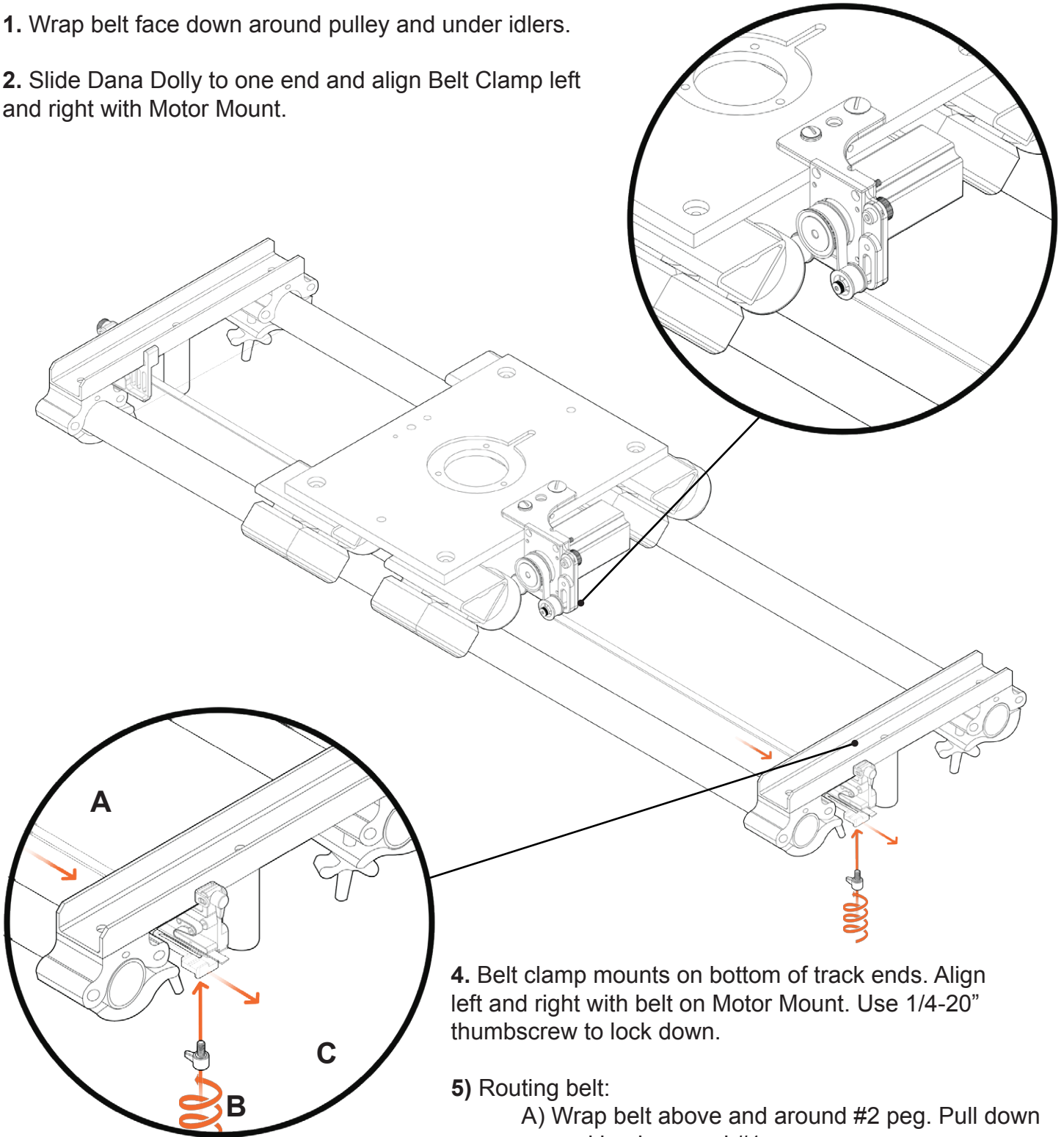
5) Routing belt:

- A) Wrap belt around #4 and #3 pegs. Pull up and around #1 peg .
- B) Tighten belt by pushing forward Tooth Clamp.
- C) Lock in place by tightening down 1/4-20" thumb screw.

Orientation #5

Mounting for universal track ends, round track, top up

1. Wrap belt face down around pulley and under idlers.
2. Slide Dana Dolly to one end and align Belt Clamp left and right with Motor Mount.



4. Belt clamp mounts on bottom of track ends. Align left and right with belt on Motor Mount. Use 1/4-20" thumbscrew to lock down.

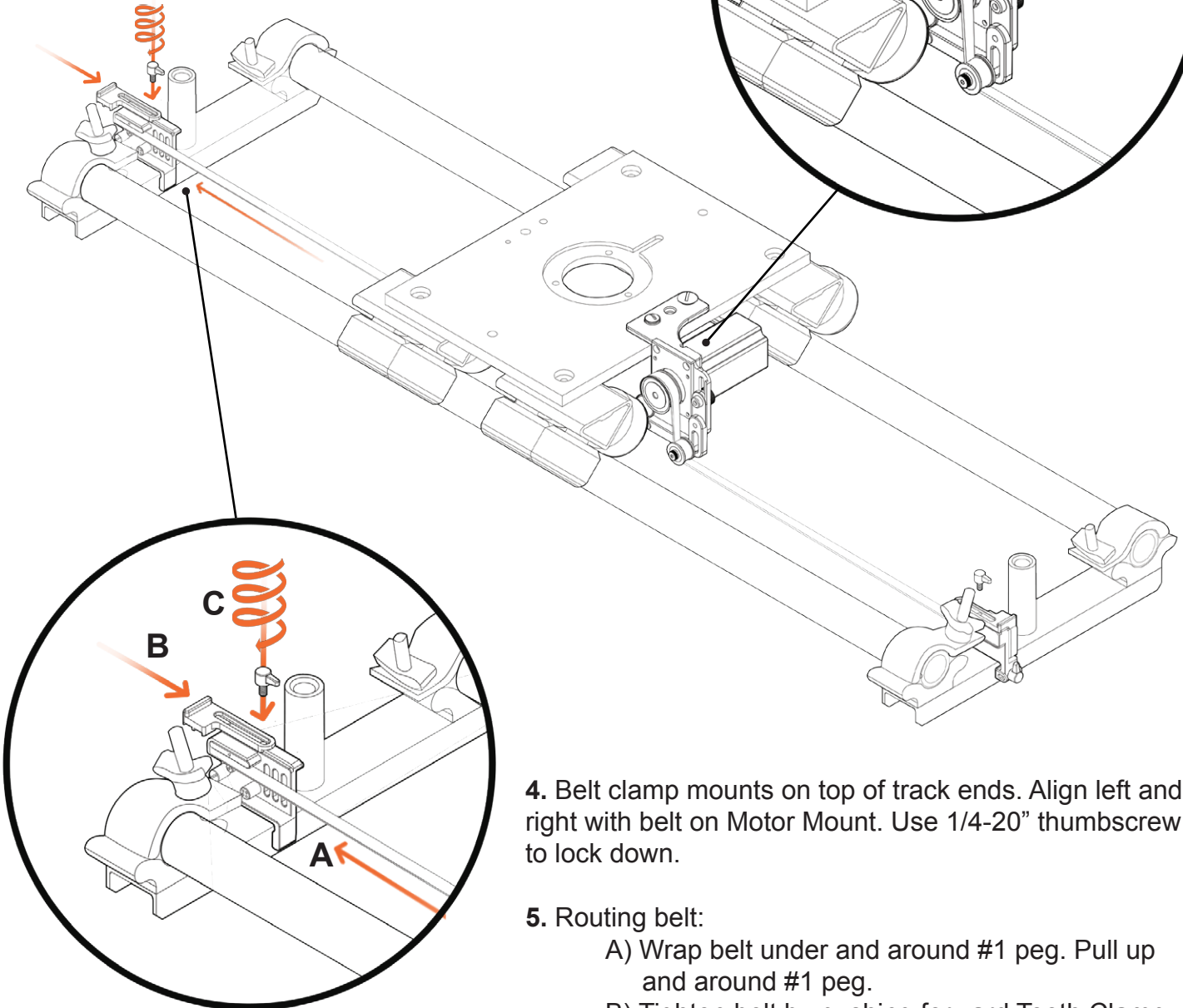
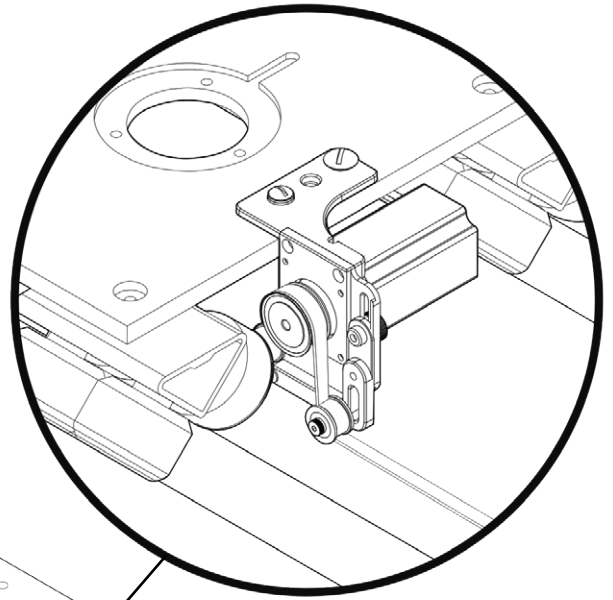
5) Routing belt:

- A) Wrap belt above and around #2 peg. Pull down and back around #1 peg.
- B) Tighten belt by pulling back Tooth Clamp.
- C) Lock in place by tightening down 1/4-20" thumb screw.

Orientation #6

Mounting for universal track ends, round track, bottom up

1. Wrap belt face down around pulley and under idlers.
2. Slide Dana Dolly to one end and align Belt Clamp left and right to align belt with Motor Mount.
3. Lower belt slightly by adjusting thumbscrews on Motor Mount. Adjust belt up and down to align with the bottom of #1 peg. Lock down screws using tool.



4. Belt clamp mounts on top of track ends. Align left and right with belt on Motor Mount. Use 1/4-20" thumbscrew to lock down.

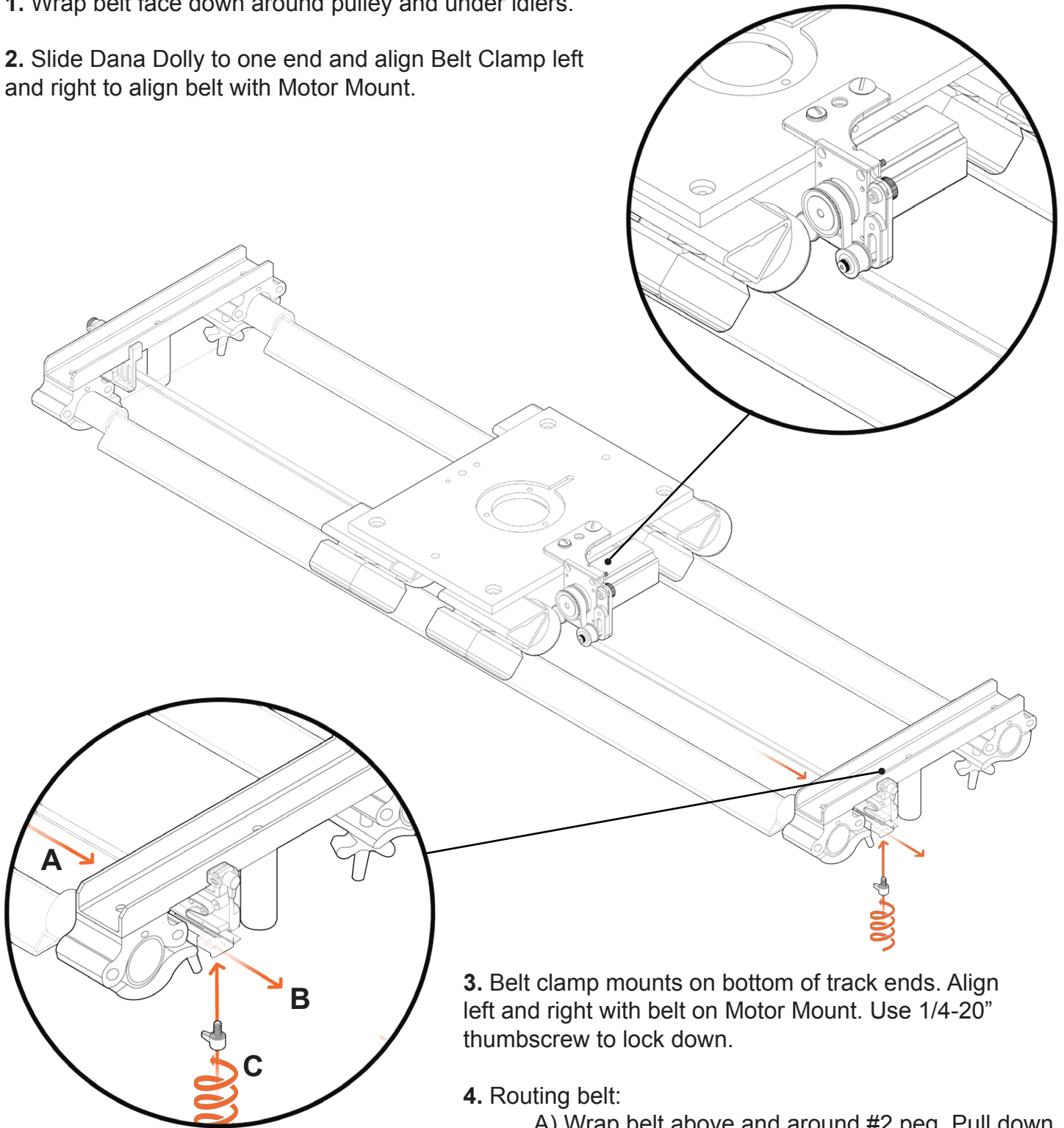
5. Routing belt:

- A) Wrap belt under and around #1 peg. Pull up and around #1 peg.
- B) Tighten belt by pushing forward Tooth Clamp.
- C) Lock in place by tightening down 1/4-20" thumb screw.

Orientation #7

Mounting for universal track ends, triangle track, top up

1. Wrap belt face down around pulley and under idlers.
2. Slide Dana Dolly to one end and align Belt Clamp left and right to align belt with Motor Mount.



3. Belt clamp mounts on bottom of track ends. Align left and right with belt on Motor Mount. Use 1/4-20" thumbscrew to lock down.

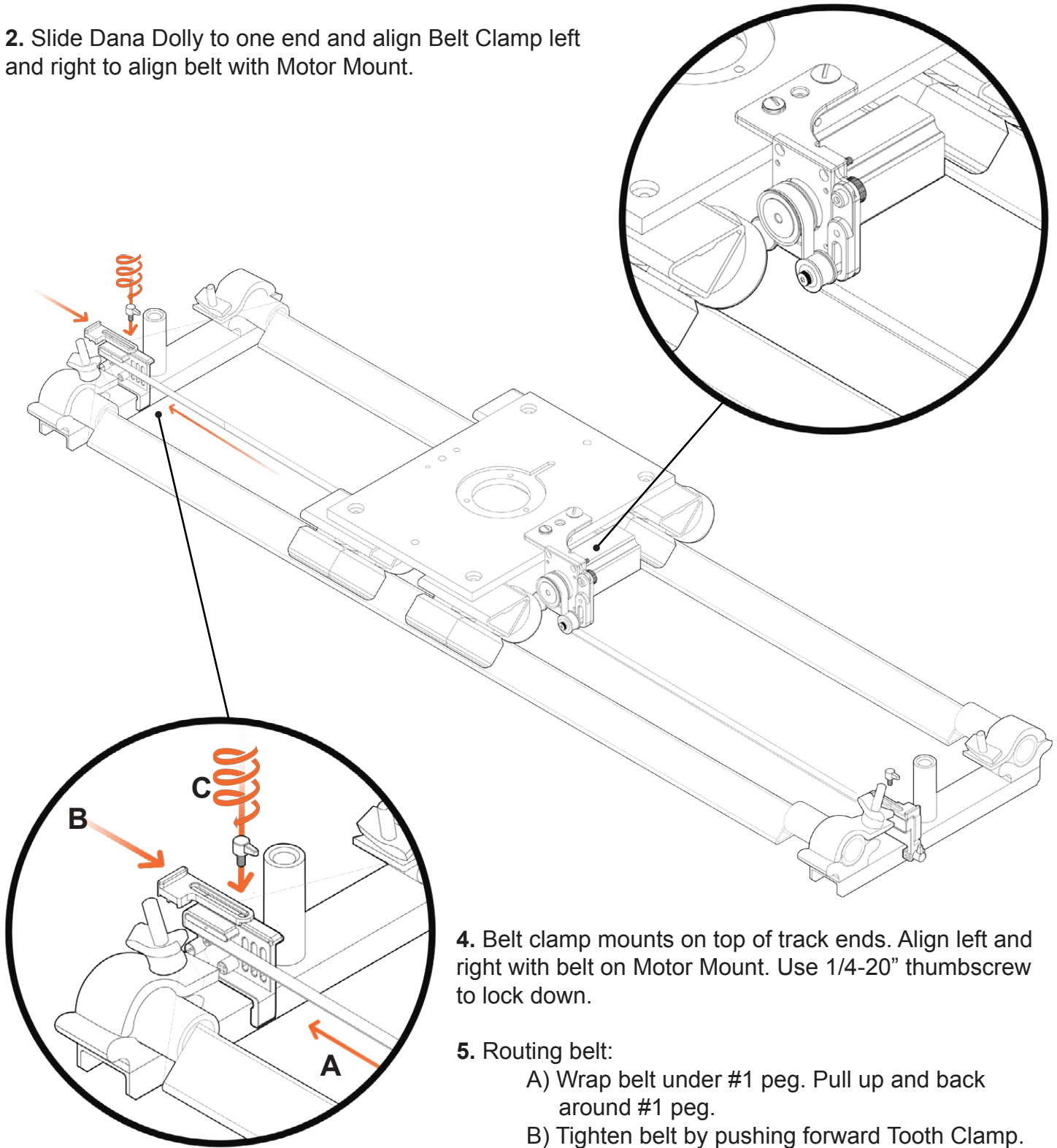
4. Routing belt:

- A) Wrap belt above and around #2 peg. Pull down and around #1 peg.
- B) Tighten belt by pulling back Tooth Clamp.
- C) Lock in place by tightening down 1/4-20" thumb screw.

Orientation #8

Mounting for universal track ends, triangle track, bottom up

1. Wrap belt face down around pulley and under idlers.
2. Slide Dana Dolly to one end and align Belt Clamp left and right to align belt with Motor Mount.



4. Belt clamp mounts on top of track ends. Align left and right with belt on Motor Mount. Use 1/4-20" thumbscrew to lock down.

5. Routing belt:

- A) Wrap belt under #1 peg. Pull up and back around #1 peg.
- B) Tighten belt by pushing forward Tooth Clamp.
- C) Lock in place by tightening down 1/4-20" thumb screw.



Learn more at emotimo.com/pages/dana-dolly

Find us on social media

**@eMotimo #eMotimo #spectrumST4
#DanaDolly #eMotimoDanaDolly**

Get support at support.emotimo.com